

Max	Frame	DP	IMPACT
41	3/8 x 88	+35 / -35	NO

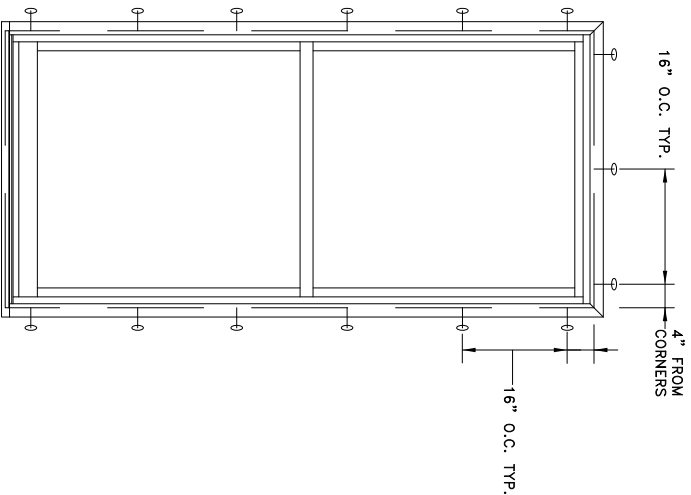
- Installation Notes:**
1. Seal brickmould/frame to substrate.
 2. Use #8 PH or greater fastener through the frame with sufficient length to penetrate a minimum of 1 1/2" into the wood framing. For 2x wood frame substrate (min. S.G. = 0.42)
 3. Host structure (wood buck, masonry, steel) to be designed and anchored to properly transfer all loads to the structure. The host structure is the responsibility of the architect or engineer of record for the project of installation.

- General Notes:**
1. The product shown herein is designed, tested and manufactured to comply with the wind load criteria of the adopted International Building Code (IBC), the International Residential Code (IRC), the Florida Building Code (FBC) and the industry requirement for the stated conditions.
 2. All glazing shall conform to ASTM E1300.
 3. At minimum, glazing shall be double strength annealed insulating glass.
 4. Use structural or composite shims where required.

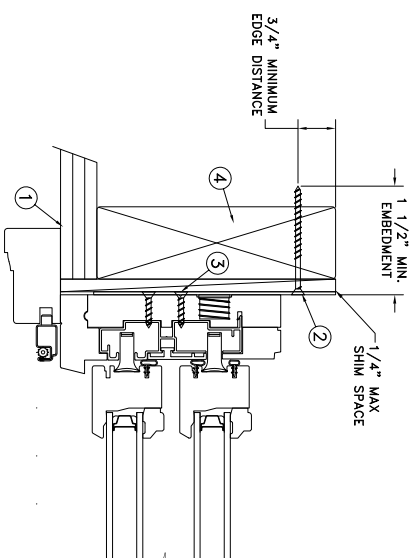
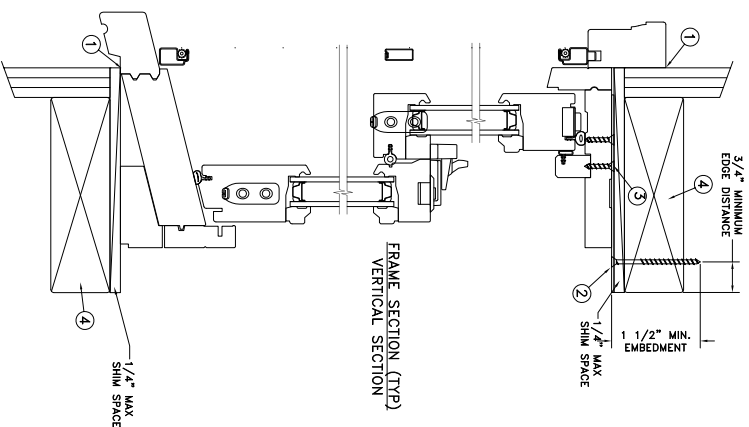
This schedule addresses only the fasteners required to anchor the window to achieve the rated design pressure and impact performance (where applicable) up to the size limitations noted. It is not intended as a guide to the installation process and does not address he sealing consideration that may arise in different wall conditions. For the complete installation procedure, see the instructions packaged with the window or go to www.jeld-wen.com/resources/installation.

DISCLAIMER:
This drawing and its contents are confidential and are not to be reproduced or copied in whole or in part or used or disclosed to others except as authorized by JELD-WEN Inc.

PROJECT ENGINEER:	DATE:	3737 LAKEPORT BLVD.	
DRAWN BY:	09/21/2017	KIAMATH FALLS OR, 97601	
J.HAWKINS	SCALE:	PHONE: (800) 535-3936	
CHECKED BY:	NTS		
C.ABBOTT	TITLE:	<p align="center">JELD-WEN</p> <p align="center">Custom Wood Double Hung</p>	
APPROVED BY:			
D.STOKES			
PART/PROJECT No.:		PLANT NAME AND LOCATION:	REV: A
D010786		Bend-OR	SHEET
IDENTIFIER No.		CAD DWG. No.:	
NCTL-110-17-081		Cust/WDH Cert	



TYPICAL ELEVATION WITH FASTENER SPACING



MASONRY STRAP
INSTALLATION

Max	Frame	DP	IMPACT
41	3/8 x 88	+35 / -35	NO

Installation Notes:

1. Seal brickmould/frame to substrate.
2. Use 2-#8 PFH or larger fasteners through masonry strap with sufficient length to penetrate a minimum of 1 1/2" into the masonry or buck. For concrete (min. fc = 3000 psi) or masonry substrate (CMU shall adhere to ASTM C90).
3. Use 2-#8 PFH or larger fasteners through masonry strap into jamb without penetrating through the jamb into product causing visability or collateral damage to product.
4. Host structure (wood buck, masonry, steel) to be designed and anchored to properly transfer all loads to the structure. The host structure is the responsibility of the architect or engineer of record for the project of installation.

General Notes:

1. The product shown herein is designed, tested and manufactured to comply with the wind load criteria of the adopted International Building Code (IBC), the International Residential Code (IRC), the Florida Building Code (FBC) and the Industry requirement for the stated conditions.
2. All glazing shall conform to ASTM E1300.
3. At minimum, glazing shall be double strength annealed insulating glass.
4. Use structural or composite shims where required.

This schedule addresses only the fasteners required to anchor the window to achieve the rated design pressure and impact performance (where applicable) up to the size limitations noted. It is not intended as a guide to the installation process and does not address he sealing consideration that may arise in different wall conditions. For the complete installation procedure, see the instructions packaged with the window or go to www.jeld-wen.com/resources/installation.

DISCLAIMER:

This drawing and its contents are confidential and are not to be reproduced or copied in whole or in part or used or disclosed to others except as authorized by JELD-WEN Inc.

PROJECT ENGINEER:	DATE:	09/21/2017
DRAWN BY:	SCALE:	NTS
J.HAWKINS		
CHECKED BY:	TITLE:	Custom Wood Double Hung
C.ABBOTT		
APPROVED BY:		
D.STOKES		
PART/PROJECT No.:	PLANT NAME AND LOCATION:	Bend-OR
D010786		
IDENTIFIER No.	CAID DWG. No.:	CustWDDH C&T
NCTL-110-17-081		
	REV:	A
	SHEET	

JELD-WEN 3737 LAKEPORT BLVD.
KIAMATH FALLS OR, 97601
PHONE: (800) 535-3936